

HELPMAN

Air cooled Condensers

HTC

New condenser generation with better performance

Capacities 9 - 1060 kW



Ripple Fin® tubing

Floating coil block suspension

Eurovent certified

**Capacities based on
ENV 327 voor R404A**

EUROVENT
CERTIFIED PERFORMANCE



CERTIFY-ALL

*DX Air Coolers
Air Cooled Condensers
Dry Coolers

Air Cooled Condensers

HTC

Contents

| Page | |
|--------|--|
| 3 | General information |
| 4 - 11 | Nominal duty air flow, sound levels technical data, dimensions |
| 12 | Fan types Fan motors |
| 13 | Capacity calculation Correction factors |
| 14 | Extended feet Additional information |

Certified by Eurovent

HTC aircooled condensers are tested and certified by Eurovent according to ENV 327 European standard.

This extensive testing procedure comprises :

- capacities under standardised conditions
- air flow data
- sound levels
- fan capacities

Type indication

Example : **HTC 076 . 124 - 930**

- HTC** : Aircooled condenser with Cu/Al coil block
- 076** : Condenser type
There are 5 basic types with different fan diameters
- 1••** : Number of separated coils
- 2•** : Number of fans per coil
- 4** : Number of tube rows in air direction
- 930** : Fan speed

Air Cooled Condensers

HTC



General

The HTC aircooled condenser range includes 5 basic types covering a total of 137 models with 1 to 12 fans and duties from 9 to 1060 kW at 15 K temperature difference.

Design

| | |
|---------------|--|
| Coil block | : Copper Ripple Fin® tubing with aluminium fins. |
| Tube diameter | : 1/2" |
| Tube pitch | : 50 x 50 mm triangle |
| Fin spacing | : 2.25 mm |

Other fin spacings up to 4 mm available on request.

Coil blocks are pressure tested at 28 bar dry air.

Casing and framework are of pregalvanised sheet steel (Sendzimir) with an epoxy coating on both sides. Colour scheme: light-grey RAL 7035, mounting feet models 076, 090, 091 and 100, dark-grey RAL 7016. Other colours are available at an extra price. All condensers are provided with removable header panels.

Floating construction of the condenser coil block. On request the condensers can be fitted with inspection hatches (extra price).

Air direction

Condensers type HTC can be supplied for horizontal or vertical air flow.

Condenser models 050 :

Standard horizontal air flow, vertical air flow with special refrigerant circuiting. All models are fitted with mounting profiles.

Condenser models 076, 090, 091 and 100 :

Standard vertical air flow. On request also available for horizontal air flow.

When ordering without air flow indication, the standard execution will be supplied.

Corrosion protection

The standard condensers have a high corrosion resistance through selected materials, surface treatment and construction. For application in aggressive surroundings (coastal-and industrial areas) following designs are available at an extra charge:

- fins of seawater resistant aluminium alloy (57S/5052)
- fins of prepainted aluminium
- finned coil coated after assembling

Application as liquid cooler (Dry - Cooler)

The condenser can also be used as liquid cooler, for instance cooling down of cooling water in watercooled plants.

Technical information on request, see brochure nr. 53.08 (Dry Coolers HTD).

Air Cooled Condensers

HTC

Capacities HTC 1..

| Type | Capacity kW | Airflow m ³ /h | dB(A) | Capacity kW | Airflow m ³ /h | dB(A) | Cap. | AirflowdB(A) | Cap. | AirflowdB(A) | | | | |
|-----------------|--------------------|---------------------------|-------|--------------------------|---------------------------|-------|--------------------|-------------------|-------|--------------------|------|-------|-------|----|
| HTC | H | H | H | H L | H L | H/L | kW | m ³ /h | kW | m ³ /h | | | | |
| HTC 050 | n = 910 rpm | | | n = 1420 rpm | | | n = 690 rpm | | | n = 470 rpm | | | | |
| 050 . 112 - ... | 14.0 | 5030 | 44 | 16.3 | 6640 | 55 | 12.5 | 4100 | 40 | 9.3 | 2530 | 31 | | |
| 050 . 113 - ... | 17.6 | 4860 | 44 | 20.9 | 6400 | 55 | 16.1 | 3950 | 40 | 11.1 | 2380 | 31 | | |
| 050 . 114 - ... | 19.8 | 4660 | 44 | 23.9 | 6200 | 55 | 16.4 | 3620 | 40 | 11.5 | 2160 | 31 | | |
| 050 . 122 - ... | 28.3 | 10100 | 47 | 33.0 | 13300 | 58 | 25.1 | 8200 | 43 | 18.5 | 5050 | 34 | | |
| 050 . 123 - ... | 37.3 | 9730 | 47 | 44.5 | 12800 | 58 | 32.4 | 7900 | 43 | 22.4 | 4770 | 34 | | |
| 050 . 124 - ... | 39.7 | 9310 | 47 | 48.2 | 12400 | 58 | 35.0 | 7240 | 43 | 23.0 | 4320 | 34 | | |
| 050 . 132 - ... | 45.1 | 15100 | 49 | 46.3 | 19900 | 60 | 40.0 | 12300 | 45 | 29.2 | 7580 | 36 | | |
| 050 . 133 - ... | 56.2 | 14600 | 49 | 67.1 | 19200 | 60 | 48.8 | 11900 | 45 | 34.6 | 7150 | 36 | | |
| 050 . 134 - ... | 62.5 | 14000 | 49 | 76.4 | 18600 | 60 | 51.6 | 10900 | 45 | 35.2 | 6480 | 36 | | |
| 050 . 143 - ... | 75.1 | 19500 | 50 | 89.8 | 25600 | 61 | 66.6 | 15800 | 46 | 46.1 | 9540 | 37 | | |
| 050 . 144 - ... | 85.3 | 18600 | 50 | 96.5 | 24800 | 61 | 70.5 | 14500 | 46 | 46.1 | 8640 | 37 | | |
| HTC 076 | n = 930 rpm | | | n = 935 / 425 rpm | | | n = 690 rpm | | | n = 325 rpm | | | | |
| 076 . 112 - ... | 36.8 | 14700 | 53 | 36.8 | 22.8 | 14700 | 7280 | 53/39 | 30.4 | 10400 | 46 | 20.2 | 6000 | 33 |
| 076 . 113 - ... | 47.6 | 13900 | 53 | 47.6 | 28.3 | 13900 | 7110 | 53/39 | 38.2 | 9790 | 46 | 22.9 | 5300 | 33 |
| 076 . 114 - ... | 52.1 | 13100 | 53 | 52.1 | 31.9 | 13100 | 6950 | 53/39 | 43.0 | 9290 | 46 | 23.1 | 4650 | 33 |
| 076 . 122 - ... | 74.0 | 29300 | 56 | 74.0 | 48.5 | 29300 | 14600 | 56/42 | 60.9 | 20700 | 49 | 40.4 | 12000 | 36 |
| 076 . 123 - ... | 96.0 | 27700 | 56 | 96.0 | 59.0 | 27700 | 14200 | 56/42 | 76.3 | 19600 | 49 | 45.8 | 10600 | 36 |
| 076 . 124 - ... | 110.7 | 26200 | 56 | 110.7 | 64.2 | 26200 | 13900 | 56/42 | 86.4 | 18600 | 49 | 46.2 | 9300 | 36 |
| 076 . 132 - ... | 115.0 | 44000 | 58 | 115.0 | 70.7 | 44000 | 21900 | 58/44 | 94.3 | 31100 | 51 | 60.6 | 18000 | 38 |
| 076 . 133 - ... | 144.1 | 41600 | 58 | 144.1 | 88.1 | 41600 | 21300 | 58/44 | 119.5 | 29400 | 51 | 68.7 | 15900 | 38 |
| 076 . 134 - ... | 161.1 | 39400 | 58 | 161.1 | 97.0 | 39400 | 20900 | 58/44 | 126.3 | 27900 | 51 | 69.3 | 13950 | 38 |
| 076 . 142 - ... | 141.2 | 58600 | 59 | 141.2 | 97.6 | 58600 | 29100 | 59/45 | 129.9 | 41500 | 52 | 80.8 | 24000 | 39 |
| 076 . 143 - ... | 199.0 | 55400 | 59 | 199.0 | 116.4 | 55400 | 28400 | 59/45 | 158.0 | 39200 | 52 | 91.6 | 21200 | 39 |
| 076 . 144 - ... | 222.1 | 52500 | 59 | 222.1 | 127.0 | 52500 | 27800 | 59/45 | 173.0 | 37200 | 52 | 92.4 | 18600 | 39 |
| 076 . 152 - ... | 185.8 | 73300 | 60 | 185.8 | 123.8 | 73300 | 36400 | 60/46 | 152.5 | 51800 | 53 | 101.0 | 30000 | 40 |
| 076 . 153 - ... | 247.4 | 69300 | 60 | 247.4 | 148.3 | 69300 | 35600 | 60/46 | 200.9 | 49000 | 53 | 114.5 | 26500 | 40 |
| 076 . 154 - ... | 281.7 | 65600 | 60 | 281.7 | 161.5 | 65600 | 34800 | 60/46 | 219.8 | 46400 | 53 | 115.5 | 23250 | 40 |
| 076 . 162 - ... | 230.8 | 87900 | 61 | 230.8 | 141.6 | 87900 | 43700 | 61/47 | 188.9 | 62200 | 54 | 121.2 | 36000 | 41 |
| 076 . 163 - ... | 301.3 | 83200 | 61 | 301.3 | 179.1 | 83200 | 42700 | 61/47 | 229.9 | 58700 | 54 | 137.4 | 31800 | 41 |
| 076 . 164 - ... | 322.9 | 78700 | 61 | 322.9 | 194.3 | 78700 | 41700 | 61/47 | 252.7 | 55700 | 54 | 138.6 | 27900 | 41 |

H = High fan speed

L = Low fan speed

Air Cooled Condensers

HTC

Capacities HTC 1..

| Type HTC | Capacity kW | | Airflow m ³ /h | | dB(A) H/L | Capacity kW | | Airflow m ³ /h | | dB(A) H/L | Capacity kW | | Airflow m ³ /h | | dB(A) H/L |
|-----------------|--------------------------|-------|---------------------------|--------|--------------|--------------------------|-------|---------------------------|-------|--------------|--------------------------|-------|---------------------------|-------|--------------|
| | H | L | H | L | | H | L | H | L | | H | L | H | L | |
| HTC 090 | n = 850 / 610 rpm | | | | | n = 680 / 520 rpm | | | | | n = 860 / 660 rpm | | | | |
| 090 . 112 - ... | 58.7 | 50.6 | 30700 | 22700 | 56/49 | 51.5 | 47.1 | 23400 | 17200 | 51/45 | 49.5 | 46.6 | 21700 | 16900 | 53/47 |
| 090 . 113 - ... | 78.3 | 69.3 | 28500 | 21100 | 56/49 | 69.8 | 58.4 | 21400 | 15900 | 51/45 | 68.5 | 57.7 | 20700 | 15500 | 53/47 |
| 090 . 114 - ... | 88.5 | 79.1 | 26600 | 19800 | 56/49 | 78.8 | 65.2 | 19800 | 14800 | 51/45 | 78.8 | 64.0 | 19800 | 14400 | 53/47 |
| 090 . 122 - ... | 117.9 | 110.0 | 61500 | 45400 | 59/52 | 111.9 | 95.2 | 46900 | 34400 | 54/48 | 107.4 | 94.1 | 43300 | 33700 | 56/50 |
| 090 . 123 - ... | 165.6 | 140.0 | 57000 | 42200 | 59/52 | 141.0 | 118.0 | 42800 | 31800 | 54/48 | 138.3 | 116.1 | 41400 | 31000 | 56/50 |
| 090 . 124 - ... | 191.4 | 159.1 | 53300 | 39600 | 59/52 | 158.6 | 134.2 | 39500 | 29600 | 54/48 | 158.6 | 131.7 | 39500 | 28900 | 56/50 |
| 090 . 132 - ... | 182.9 | 166.0 | 92200 | 68000 | 61/54 | 168.7 | 143.3 | 70300 | 51600 | 56/50 | 162.0 | 141.6 | 65000 | 50600 | 58/52 |
| 090 . 133 - ... | 249.7 | 210.5 | 85400 | 63300 | 61/54 | 212.2 | 177.1 | 64100 | 47800 | 56/50 | 208.0 | 174.5 | 62100 | 46600 | 58/52 |
| 090 . 134 - ... | 288.4 | 238.5 | 79900 | 59500 | 61/54 | 238.7 | 203.9 | 59300 | 44400 | 56/50 | 238.7 | 199.8 | 59300 | 43300 | 58/52 |
| 090 . 142 - ... | 257.9 | 221.8 | 122900 | 90700 | 62/55 | 225.7 | 191.4 | 93800 | 68800 | 57/51 | 216.5 | 189.1 | 86600 | 67400 | 59/53 |
| 090 . 143 - ... | 333.6 | 281.3 | 113900 | 84500 | 62/55 | 283.5 | 244.3 | 85500 | 63700 | 57/51 | 278.0 | 240.2 | 82800 | 62100 | 59/53 |
| 090 . 144 - ... | 385.4 | 329.0 | 106500 | 79300 | 62/55 | 328.6 | 270.0 | 79000 | 59200 | 57/51 | 328.6 | 265.5 | 79000 | 57700 | 59/53 |
| 090 . 152 - ... | 313.0 | 268.7 | 153700 | 113400 | 63/56 | 273.5 | 245.8 | 117200 | 86000 | 58/52 | 262.4 | 243.0 | 108300 | 84300 | 60/54 |
| 090 . 153 - ... | 404.6 | 361.6 | 142400 | 105600 | 63/56 | 364.0 | 304.4 | 106900 | 79600 | 58/52 | 357.6 | 299.4 | 103500 | 77600 | 60/54 |
| 090 . 154 - ... | 494.9 | 409.7 | 133200 | 99100 | 63/56 | 409.2 | 335.6 | 98800 | 74000 | 58/52 | 409.2 | 329.6 | 98800 | 72100 | 60/54 |
| HTC 091 | n = 850 / 610 rpm | | | | | n = 680 / 520 rpm | | | | | n = 860 / 660 rpm | | | | |
| 091 . 112 - ... | 70.4 | 60.3 | 32200 | 23700 | 56/49 | 61.9 | 52.1 | 24900 | 18100 | 51/45 | 58.2 | 51.4 | 22300 | 17700 | 53/47 |
| 091 . 113 - ... | 93.0 | 77.8 | 30300 | 22400 | 56/49 | 81.0 | 67.5 | 23800 | 17000 | 51/45 | 76.0 | 66.5 | 21500 | 16600 | 53/47 |
| 091 . 114 - ... | 105.5 | 86.7 | 28700 | 21200 | 56/49 | 87.7 | 74.8 | 21600 | 16000 | 51/45 | 89.8 | 73.6 | 20800 | 15600 | 53/47 |
| 091 . 122 - ... | 142.0 | 121.3 | 64300 | 47400 | 59/52 | 124.5 | 104.5 | 49800 | 36300 | 54/48 | 117.1 | 103.1 | 44500 | 35400 | 56/50 |
| 091 . 123 - ... | 183.7 | 153.5 | 60600 | 44700 | 59/52 | 159.6 | 136.2 | 47700 | 33900 | 54/48 | 158.2 | 134.1 | 43000 | 33100 | 56/50 |
| 091 . 124 - ... | 211.4 | 183.4 | 57400 | 42500 | 59/52 | 185.0 | 150.8 | 43100 | 32100 | 54/48 | 181.1 | 147.6 | 41600 | 31300 | 56/50 |
| 091 . 132 - ... | 218.2 | 186.3 | 96500 | 71100 | 61/54 | 191.2 | 166.3 | 74700 | 54400 | 56/50 | 179.9 | 164.0 | 66800 | 53100 | 58/52 |
| 091 . 133 - ... | 281.9 | 244.2 | 90800 | 67100 | 61/54 | 254.0 | 204.7 | 71500 | 50900 | 56/50 | 238.1 | 201.3 | 64400 | 49700 | 58/52 |
| 091 . 134 - ... | 335.9 | 276.3 | 86100 | 63700 | 61/54 | 278.9 | 226.2 | 64700 | 48100 | 56/50 | 271.8 | 221.9 | 62400 | 46900 | 58/52 |
| 091 . 142 - ... | 285.1 | 243.0 | 128600 | 94800 | 62/55 | 249.7 | 222.5 | 99600 | 72600 | 57/51 | 249.0 | 219.3 | 89000 | 70800 | 59/53 |
| 091 . 143 - ... | 368.0 | 326.6 | 121100 | 89500 | 62/55 | 339.1 | 273.4 | 95400 | 67900 | 57/51 | 318.3 | 268.9 | 85900 | 66200 | 59/53 |
| 091 . 144 - ... | 449.4 | 367.8 | 114700 | 85000 | 62/55 | 372.6 | 308.2 | 86300 | 64100 | 57/51 | 363.1 | 302.5 | 83200 | 62600 | 59/53 |
| 091 . 152 - ... | 370.9 | 316.4 | 160800 | 118500 | 63/56 | 324.8 | 272.4 | 124500 | 90700 | 58/52 | 305.4 | 268.3 | 111300 | 88500 | 60/54 |
| 091 . 153 - ... | 478.7 | 399.6 | 151400 | 111800 | 63/56 | 415.5 | 335.3 | 119200 | 84900 | 58/52 | 389.4 | 342.1 | 107400 | 82800 | 60/54 |
| 091 . 154 - ... | 549.5 | 450.9 | 143400 | 106200 | 63/56 | 456.2 | 384.9 | 107800 | 80200 | 58/52 | 461.8 | 377.2 | 104000 | 78200 | 60/54 |
| HTC 100 | n = 670 / 520 rpm | | | | | n = 420 / 310 rpm | | | | | n = 380 / 250 rpm | | | | |
| 100 . 112 - ... | 59.0 | 49.8 | 27400 | 19900 | 59/47 | 48.7 | 41.2 | 19000 | 13500 | 42/34 | 45.0 | 35.2 | 17000 | 10800 | 39/29 |
| 100 . 113 - ... | 74.8 | 61.4 | 25100 | 18100 | 59/47 | 62.0 | 47.4 | 16700 | 11700 | 42/34 | 56.0 | 38.3 | 14500 | 9000 | 39/29 |
| 100 . 114 - ... | 89.5 | 73.3 | 23300 | 16200 | 59/47 | 66.5 | - | 14300 | - | 42 | 59.0 | - | 13000 | - | 39 |
| 100 . 122 - ... | 118.7 | 100.0 | 54700 | 39900 | 62/50 | 103.2 | 78.7 | 38000 | 27000 | 45/37 | 95.5 | 70.7 | 34000 | 21600 | 42/32 |
| 100 . 123 - ... | 149.9 | 129.9 | 50100 | 36200 | 62/50 | 124.8 | 95.4 | 33400 | 23400 | 45/37 | 112.3 | 78.7 | 29000 | 18000 | 42/32 |
| 100 . 124 - ... | 189.3 | 147.9 | 46500 | 32300 | 62/50 | 135.9 | - | 28600 | - | 45 | 120.8 | - | 26000 | - | 42 |
| 100 . 132 - ... | 166.4 | 159.5 | 82100 | 59800 | 64/52 | 155.5 | 124.9 | 57000 | 40500 | 47/39 | 143.7 | 106.0 | 51000 | 32400 | 44/34 |
| 100 . 133 - ... | 238.8 | 195.6 | 75200 | 54300 | 64/52 | 187.8 | 143.4 | 50100 | 35100 | 47/39 | 169.0 | 118.2 | 43500 | 27000 | 44/34 |
| 100 . 134 - ... | 285.2 | 221.7 | 69800 | 48500 | 64/52 | 199.6 | - | 42900 | - | 47 | 176.8 | - | 39000 | - | 44 |
| 100 . 142 - ... | 238.1 | 200.6 | 109500 | 79700 | 65/53 | 195.5 | 157.7 | 76000 | 54000 | 48/40 | 180.6 | 144.8 | 68000 | 43200 | 45/35 |
| 100 . 143 - ... | 319.4 | 260.6 | 100200 | 72400 | 65/53 | 250.8 | 191.4 | 66800 | 46800 | 48/40 | 230.5 | 156.9 | 58000 | 36000 | 45/35 |
| 100 . 144 - ... | 381.1 | 302.6 | 93100 | 64700 | 65/53 | 272.4 | - | 57200 | - | 48 | 241.3 | - | 52000 | - | 45 |
| 100 . 152 - ... | 310.1 | 260.8 | 136900 | 99600 | 66/54 | 262.2 | 204.2 | 95000 | 67500 | 49/41 | 234.8 | 173.6 | 85000 | 54000 | 46/36 |
| 100 . 153 - ... | 390.9 | 318.9 | 125300 | 90500 | 66/54 | 319.2 | 243.3 | 83500 | 58500 | 49/41 | 287.1 | 198.6 | 72500 | 45000 | 46/36 |
| 100 . 154 - ... | 484.8 | 377.6 | 116300 | 80800 | 66/54 | 339.9 | - | 71500 | - | 49 | 305.0 | - | 65000 | - | 46 |

H = High fan speed

L = Low fan speed

Note : Actual fan speed may differ from the values as indicated on the motor name plate.

Air Cooled Condensers

HTC

Technical Data HTC 1••

| Type HTC | Refrigerant conn. mm | Int. vol. dm ³ | Sur- face m ² | Weight kg | Dimensions mm | | | |
|----------------------------------|-------------------------|------------------------------|--------------------------------|--------------|---------------|------|------|--------|
| | | | | | A | B | C | D |
| HTC 050 n = 910 rpm | | | | | | | | |
| 050.112-... | 1 x 22 | 5 | 47 | 43 | | | | |
| 050.113-... | 1 x 22 | 7 | 70 | 52 | 1060 | 830 | | |
| 050.114-... | 1 x 22 | 9 | 93 | 61 | | | | |
| 050.122-... | 1 x 22 | 8 | 93 | 84 | | | | |
| 050.123-... | 1 x 28 | 12 | 140 | 101 | 1860 | 1630 | | |
| 050.124-... | 1 x 28 | 16 | 187 | 118 | | | | |
| 050.132-... | 1 x 28 | 11 | 140 | 125 | | | | |
| 050.133-... | 1 x 35 | 16 | 210 | 150 | 2660 | 2430 | | |
| 050.134-... | 1 x 35 | 22 | 280 | 176 | | | | |
| 050.143-... | 1 x 35 | 24 | 280 | 203 | | | | |
| 050.144-... | 1 x 42 | 31 | 373 | 237 | 3460 | 3230 | | |
| HTC 076 n = 930 rpm | | | | | | | | |
| 076.112-... | 1 x 28 | 9 | 102 | 128 | | | | |
| 076.113-... | 1 x 28 | 13 | 153 | 146 | 2000 | 1340 | | 1x1400 |
| 076.114-... | 1 x 28 | 17 | 204 | 165 | | | | |
| 076.122-... | 1 x 35 | 16 | 204 | 253 | | | | |
| 076.123-... | 1 x 42 | 24 | 306 | 290 | 3400 | 2740 | | 2x1400 |
| 076.124-... | 1 x 42 | 31 | 408 | 326 | | | | |
| 076.132-... | 1 x 42 | 25 | 306 | 381 | | | | |
| 076.133-... | 1 x 54 | 36 | 459 | 436 | 4800 | 4140 | | 3x1400 |
| 076.134-... | 1 x 54 | 49 | 612 | 492 | | | | |
| 076.142-... | 1 x 54 | 32 | 408 | 506 | | | | |
| 076.143-... | 1 x 54 | 48 | 612 | 580 | 6200 | 5540 | 2740 | 4x1400 |
| 076.144-... | 1 x 67 | 63 | 817 | 653 | | | | |
| 076.152-... | 1 x 54 | 39 | 510 | 632 | | | | |
| 076.153-... | 1 x 67 | 58 | 766 | 723 | 7600 | 6940 | 4140 | 5x1400 |
| 076.154-... | 1 x 67 | 77 | 1021 | 814 | | | | |
| 076.162-... | 1 x 67 | 46 | 612 | 757 | | | | |
| 076.163-... | 1 x 67 | 69 | 919 | 866 | 9000 | 8340 | 4140 | 6x1400 |
| 076.164-... | 1 x 67 | 91 | 1225 | 974 | | | | |
| HTC 090 n = 850 / 610 rpm | | | | | | | | |
| 090.112-... | 1 x 28 | 10 | 122 | 230 | | | | |
| 090.113-... | 1 x 35 | 16 | 184 | 253 | 2000 | 1340 | | 1x1400 |
| 090.114-... | 1 x 35 | 21 | 245 | 275 | | | | |
| 090.122-... | 1 x 42 | 19 | 245 | 458 | | | | |
| 090.123-... | 1 x 54 | 28 | 367 | 501 | 3400 | 2740 | | 2x1400 |
| 090.124-... | 1 x 54 | 38 | 490 | 545 | | | | |
| 090.132-... | 1 x 54 | 30 | 367 | 688 | | | | |
| 090.133-... | 1 x 67 | 44 | 551 | 755 | 4800 | 4140 | | 3x1400 |
| 090.134-... | 1 x 67 | 59 | 735 | 821 | | | | |
| 090.142-... | 1 x 67 | 38 | 490 | 916 | | | | |
| 090.143-... | 1 x 80 | 57 | 735 | 1003 | 6200 | 5540 | 2740 | 4x1400 |
| 090.144-... | 1 x 80 | 76 | 980 | 1091 | | | | |
| 090.152-... | 1 x 67 | 46 | 612 | 1143 | | | | |
| 090.153-... | 1 x 80 | 70 | 919 | 1252 | 7600 | 6940 | 4140 | 5x1400 |
| 090.154-... | 1 x 80 | 93 | 1226 | 1361 | | | | |

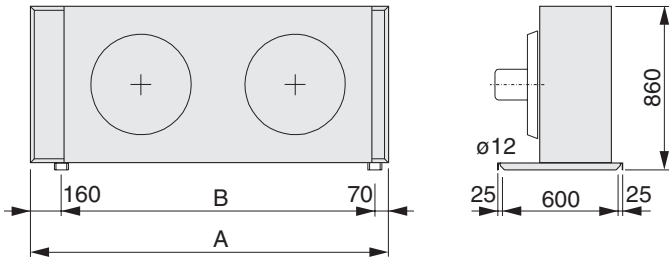
Technical Data HTC 1••

| Type HTC | Refrigerant conn. mm | Int. vol. dm ³ | Sur- face m ² | Weight kg | Dimensions mm | | | |
|----------------------------------|-------------------------|------------------------------|--------------------------------|--------------|---------------|------|------|--------|
| | | | | | A | B | C | D |
| HTC 091 n = 850 / 610 rpm | | | | | | | | |
| 091.112-... | 1 x 35 | 13 | 152 | 251 | | | | |
| 091.113-... | 1 x 42 | 19 | 228 | 279 | 2350 | 1690 | | 1x1750 |
| 091.114-... | 1 x 42 | 25 | 304 | 307 | | | | |
| 091.122-... | 1 x 54 | 25 | 304 | 502 | | | | |
| 091.123-... | 1 x 54 | 38 | 457 | 558 | 4100 | 3440 | | 2x1750 |
| 091.124-... | 1 x 54 | 51 | 607 | 614 | | | | |
| 091.132-... | 1 x 67 | 36 | 455 | 750 | | | | |
| 091.133-... | 1 x 67 | 54 | 685 | 832 | 5850 | 5190 | | 3x1750 |
| 091.134-... | 1 x 80 | 72 | 911 | 915 | | | | |
| 091.142-... | 1 x 67 | 46 | 607 | 998 | | | | |
| 091.143-... | 1 x 80 | 70 | 913 | 1107 | 7600 | 6940 | 3440 | 4x1750 |
| 091.144-... | 1 x 80 | 93 | 1214 | 1216 | | | | |
| 091.152-... | 1 x 80 | 57 | 759 | 1246 | | | | |
| 091.153-... | 1 x 80 | 86 | 1142 | 1382 | 9350 | 8690 | 5190 | 5x1750 |
| 091.154-... | 1 x 80 | 114 | 1518 | 1518 | | | | |
| HTC 100 n = 670 / 520 rpm | | | | | | | | |
| 100.112-... | 1 x 35 | 13 | 152 | 251 | | | | |
| 100.113-... | 1 x 35 | 19 | 228 | 279 | 2350 | 1690 | | 1x1750 |
| 100.114-... | 1 x 42 | 25 | 304 | 307 | | | | |
| 100.122-... | 1 x 42 | 25 | 304 | 502 | | | | |
| 100.123-... | 1 x 54 | 38 | 457 | 558 | 4100 | 3440 | | 2x1750 |
| 100.124-... | 1 x 54 | 51 | 607 | 614 | | | | |
| 100.132-... | 1 x 54 | 36 | 455 | 750 | | | | |
| 100.133-... | 1 x 67 | 54 | 685 | 832 | 5850 | 5190 | | 3x1750 |
| 100.134-... | 1 x 67 | 72 | 911 | 915 | | | | |
| 100.142-... | 1 x 67 | 46 | 607 | 998 | | | | |
| 100.143-... | 1 x 67 | 70 | 913 | 1107 | 7600 | 6940 | 3440 | 4x1750 |
| 100.144-... | 1 x 80 | 93 | 1214 | 1216 | | | | |
| 100.152-... | 1 x 67 | 57 | 759 | 1246 | | | | |
| 100.153-... | 1 x 80 | 86 | 1142 | 1382 | 9350 | 8690 | 5190 | 5x1750 |
| 100.154-... | 1 x 80 | 114 | 1518 | 1518 | | | | |
| HTC 100 n = 420 / 310 rpm | | | | | | | | |
| 100.112-... | 1 x 35 | 13 | 152 | 251 | | | | |
| 100.113-... | 1 x 35 | 19 | 228 | 279 | 2350 | 1690 | | 1x1750 |
| 100.114-... | 1 x 35 | 25 | 304 | 307 | | | | |
| 100.122-... | 1 x 42 | 25 | 304 | 502 | | | | |
| 100.123-... | 1 x 54 | 38 | 457 | 558 | 4100 | 3440 | | 2x1750 |
| 100.124-... | 1 x 54 | 51 | 607 | 614 | | | | |
| 100.132-... | 1 x 54 | 36 | 455 | 750 | | | | |
| 100.133-... | 1 x 54 | 54 | 685 | 832 | 5850 | 5190 | | 3x1750 |
| 100.134-... | 1 x 54 | 72 | 911 | 915 | | | | |
| 100.142-... | 1 x 54 | 46 | 607 | 998 | | | | |
| 100.143-... | 1 x 67 | 70 | 913 | 1107 | 7600 | 6940 | 3440 | 4x1750 |
| 100.144-... | 1 x 67 | 93 | 1214 | 1216 | | | | |
| 100.152-... | 1 x 67 | 57 | 759 | 1246 | | | | |
| 100.153-... | 1 x 67 | 86 | 1142 | 1382 | 9350 | 8690 | 5190 | 5x1750 |
| 100.154-... | 1 x 80 | 114 | 1518 | 1518 | | | | |

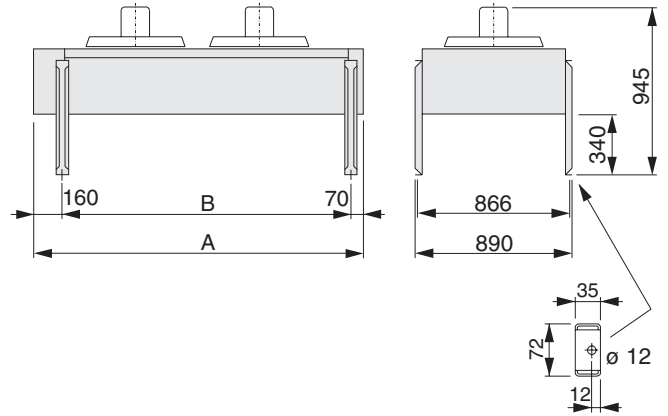
Air Cooled Condensers

HTC

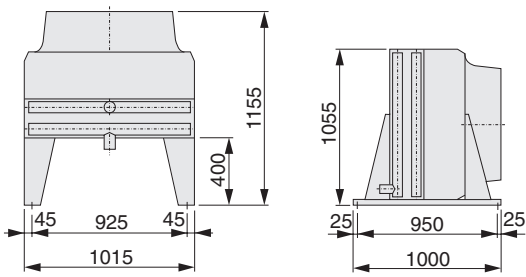
HTC 050 . 1•• Horizontal Air Direction



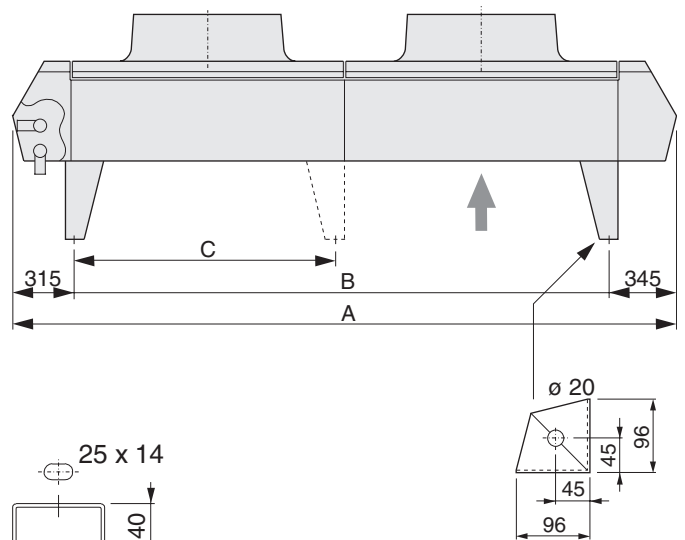
HTC 050 . 1•• Vertical Air Direction



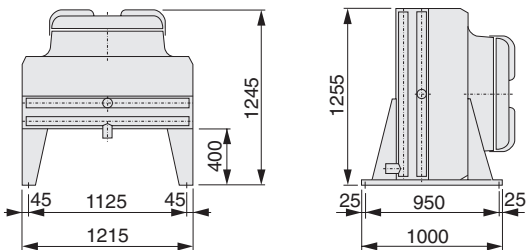
HTC 076 . 1••



HTC 076 / 090 / 091 / 100 . 1••
Vertical Air Direction

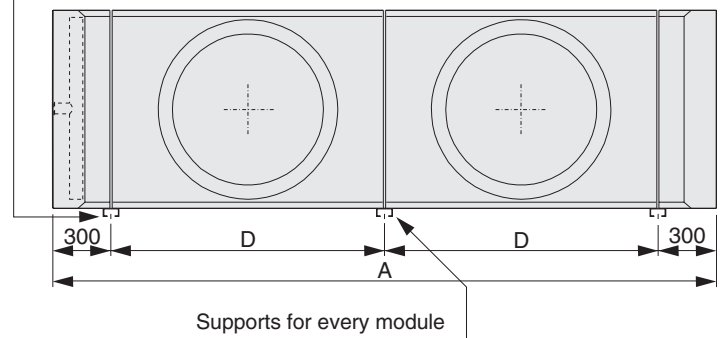
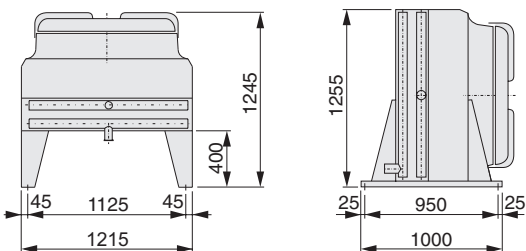


HTC 090 / 091 . 1••



HTC 076 / 090 / 091 / 100 . 1••
Horizontal Air Direction

HTC 100 . 1••



Air Cooled Condensers

HTC

Capacities HTC 2..

| Type | Capacity kW | Airflow m ³ /h | dB(A) | Capacity kW | Airflow m ³ /h | dB(A) | Cap. | AirflowdB(A) | Cap. | AirflowdB(A) | | | | |
|-----------------|--------------------|---------------------------|-------|--------------------------|---------------------------|--------|--------------------|-------------------|-------|--------------------|----|-------|-------|----|
| HTC | H | H | H | H L | H L | H/L | kW | m ³ /h | kW | m ³ /h | | | | |
| HTC 050 | | | | | | | | | | | | | | |
| <hr/> | | | | | | | | | | | | | | |
| <hr/> | | | | | | | | | | | | | | |
| HTC 076 | n = 930 rpm | | | n = 935 / 425 rpm | | | n = 690 rpm | | | n = 325 rpm | | | | |
| 076 . 212 - ... | 73.6 | 29300 | 56 | 73.6 | 45.7 | 29300 | 14600 | 56/42 | 60.6 | 20700 | 49 | 40.4 | 12000 | 36 |
| 076 . 213 - ... | 95.2 | 27700 | 56 | 95.2 | 56.6 | 27700 | 14200 | 56/42 | 76.2 | 19600 | 49 | 45.8 | 10600 | 36 |
| 076 . 214 - ... | 104.3 | 26200 | 56 | 104.3 | 63.9 | 26200 | 13900 | 56/42 | 85.8 | 18600 | 49 | 46.2 | 9300 | 36 |
| 076 . 222 - ... | 148.1 | 58600 | 59 | 148.1 | 96.9 | 58600 | 29100 | 59/45 | 121.8 | 41500 | 52 | 80.8 | 24000 | 39 |
| 076 . 223 - ... | 191.6 | 55400 | 59 | 191.6 | 117.8 | 55400 | 28400 | 59/45 | 152.8 | 39200 | 52 | 91.6 | 21200 | 39 |
| 076 . 224 - ... | 221.2 | 52500 | 59 | 221.2 | 128.3 | 52500 | 27800 | 59/45 | 172.7 | 37200 | 52 | 92.4 | 18600 | 39 |
| 076 . 232 - ... | 229.9 | 87900 | 61 | 229.9 | 141.4 | 87900 | 43700 | 61/47 | 188.6 | 62200 | 54 | 121.2 | 36000 | 41 |
| 076 . 233 - ... | 288.3 | 83200 | 61 | 288.3 | 176.2 | 83200 | 42700 | 61/47 | 238.9 | 58700 | 54 | 137.4 | 31800 | 41 |
| 076 . 234 - ... | 322.2 | 78700 | 61 | 322.2 | 194.1 | 78700 | 41700 | 61/47 | 252.4 | 55700 | 54 | 138.6 | 27900 | 41 |
| 076 . 242 - ... | 282.5 | 117200 | 62 | 282.5 | 195.1 | 117200 | 58300 | 62/48 | 259.9 | 82900 | 55 | 161.6 | 48000 | 42 |
| 076 . 243 - ... | 397.8 | 110900 | 62 | 397.8 | 232.9 | 110900 | 56900 | 62/48 | 316.0 | 78300 | 55 | 183.2 | 42400 | 42 |
| 076 . 244 - ... | 444.4 | 104900 | 62 | 444.4 | 254.0 | 104900 | 55600 | 62/48 | 345.9 | 74300 | 55 | 184.8 | 37200 | 42 |
| 076 . 252 - ... | 371.8 | 146500 | 63 | 371.8 | 247.4 | 146500 | 72800 | 63/49 | 304.8 | 103700 | 56 | 202.0 | 60000 | 43 |
| 076 . 253 - ... | 476.0 | 138600 | 63 | 476.0 | 296.7 | 138600 | 71100 | 63/49 | 402.0 | 97900 | 56 | 229.0 | 53000 | 43 |
| 076 . 254 - ... | 563.5 | 131200 | 63 | 563.5 | 323.0 | 131200 | 69500 | 63/49 | 439.4 | 92900 | 56 | 231.0 | 46500 | 43 |
| 076 . 262 - ... | 461.6 | 175800 | 64 | 461.6 | 283.3 | 175800 | 87400 | 64/50 | 377.6 | 124400 | 57 | 242.4 | 72000 | 44 |
| 076 . 263 - ... | 602.6 | 166300 | 64 | 602.6 | 358.3 | 166300 | 85300 | 64/50 | 460.0 | 117500 | 57 | 274.8 | 63600 | 44 |
| 076 . 264 - ... | 645.8 | 157400 | 64 | 645.8 | 388.5 | 157400 | 83500 | 64/50 | 505.5 | 111500 | 57 | 277.2 | 55800 | 44 |

H = High fan speed

L = Low fan speed

Air Cooled Condensers

HTC

Capacities HTC 2..

| Type | Capacity kW | | Airflow m ³ /h | | dB(A) | Capacity kW | | Airflow m ³ /h | | dB(A) | Capacity kW | | Airflow m ³ /h | | dB(A) |
|-----------------|--------------------------|-------|---------------------------|--------|-------|--------------------------|-------|---------------------------|--------|-------|--------------------------|-------|---------------------------|--------|-------|
| HTC | H | L | H | L | H/L | H | L | H | L | H/L | H | L | H | L | H/L |
| HTC 090 | n = 850 / 610 rpm | | | | | n = 680 / 520 rpm | | | | | n = 860 / 660 rpm | | | | |
| 090 . 212 - ... | 117.3 | 101.3 | 61400 | 45400 | 60/53 | 103.0 | 94.2 | 46800 | 34400 | 55/49 | 99.0 | 93.2 | 43400 | 33800 | 57/51 |
| 090 . 213 - ... | 156.6 | 138.5 | 57000 | 42200 | 60/53 | 139.6 | 116.9 | 42800 | 31800 | 55/49 | 137.1 | 115.4 | 41400 | 31000 | 57/51 |
| 090 . 214 - ... | 177.0 | 158.3 | 53200 | 39600 | 60/53 | 157.7 | 130.4 | 39600 | 29600 | 55/49 | 157.7 | 127.9 | 39600 | 28800 | 57/51 |
| 090 . 222 - ... | 235.9 | 220.1 | 123000 | 90800 | 63/56 | 223.8 | 190.3 | 93800 | 68800 | 58/52 | 214.9 | 188.2 | 86600 | 67400 | 60/54 |
| 090 . 223 - ... | 331.1 | 280.0 | 114000 | 84400 | 63/56 | 282.0 | 236.1 | 85600 | 63600 | 58/52 | 276.6 | 232.1 | 82800 | 62000 | 60/54 |
| 090 . 224 - ... | 382.7 | 318.2 | 106600 | 79200 | 63/56 | 317.2 | 268.3 | 79000 | 59200 | 58/52 | 317.2 | 263.3 | 79000 | 57800 | 60/54 |
| 090 . 232 - ... | 365.9 | 332.0 | 184400 | 136000 | 65/58 | 337.4 | 286.6 | 140600 | 103200 | 60/54 | 324.1 | 283.3 | 130000 | 101200 | 62/56 |
| 090 . 233 - ... | 499.4 | 421.0 | 170800 | 126600 | 65/58 | 424.3 | 354.2 | 128200 | 95600 | 60/54 | 416.0 | 349.0 | 124200 | 93200 | 62/56 |
| 090 . 234 - ... | 576.8 | 477.6 | 159800 | 119000 | 65/58 | 477.4 | 407.9 | 118600 | 88800 | 60/54 | 477.4 | 399.6 | 118600 | 86600 | 62/56 |
| 090 . 242 - ... | 515.8 | 443.7 | 245800 | 181400 | 66/59 | 451.4 | 382.7 | 187600 | 137600 | 61/55 | 433.1 | 378.1 | 173200 | 134800 | 63/57 |
| 090 . 243 - ... | 667.3 | 562.6 | 227800 | 169000 | 66/59 | 567.0 | 488.6 | 171000 | 127400 | 61/55 | 556.0 | 480.5 | 165600 | 124200 | 63/57 |
| 090 . 244 - ... | 770.8 | 657.9 | 213000 | 158600 | 66/59 | 657.3 | 540.0 | 158000 | 118400 | 61/55 | 657.3 | 531.0 | 158000 | 115400 | 63/57 |
| 090 . 252 - ... | 626.1 | 537.5 | 307400 | 226800 | 67/60 | 547.0 | 491.5 | 234400 | 172000 | 62/56 | 524.8 | 486.1 | 216600 | 168600 | 64/58 |
| 090 . 253 - ... | 809.1 | 723.2 | 284800 | 211200 | 67/60 | 728.0 | 608.8 | 213800 | 159200 | 62/56 | 715.1 | 598.8 | 207000 | 155200 | 64/58 |
| 090 . 254 - ... | 989.5 | 819.3 | 266400 | 198200 | 67/60 | 818.5 | 671.2 | 197600 | 148000 | 62/56 | 818.5 | 659.2 | 197600 | 144200 | 64/58 |
| HTC 090 | n = 850 / 610 rpm | | | | | n = 680 / 520 rpm | | | | | n = 860 / 660 rpm | | | | |
| 091 . 212 - ... | 140.8 | 120.6 | 64400 | 47400 | 60/53 | 123.8 | 104.2 | 49800 | 36200 | 55/49 | 116.5 | 102.8 | 44600 | 35400 | 57/51 |
| 091 . 213 - ... | 186.0 | 155.6 | 60600 | 44800 | 60/53 | 162.0 | 135.0 | 47600 | 34000 | 55/49 | 152.0 | 132.9 | 43000 | 33200 | 57/51 |
| 091 . 214 - ... | 210.9 | 173.5 | 57400 | 42400 | 60/53 | 175.3 | 149.6 | 43200 | 32000 | 55/49 | 179.5 | 147.3 | 41600 | 31200 | 57/51 |
| 091 . 222 - ... | 283.9 | 242.5 | 128600 | 94800 | 63/56 | 249.0 | 209.0 | 99600 | 72600 | 58/52 | 234.2 | 206.1 | 89000 | 70800 | 60/54 |
| 091 . 223 - ... | 367.3 | 307.0 | 121200 | 89400 | 63/56 | 319.3 | 272.5 | 95400 | 67800 | 58/52 | 316.4 | 268.1 | 86000 | 66200 | 60/54 |
| 091 . 224 - ... | 422.9 | 366.7 | 114800 | 85000 | 63/56 | 370.0 | 301.6 | 86200 | 64200 | 58/52 | 362.1 | 295.2 | 83200 | 62600 | 60/54 |
| 091 . 232 - ... | 436.4 | 372.5 | 193000 | 142200 | 65/58 | 382.3 | 332.6 | 149400 | 108800 | 60/54 | 359.8 | 328.0 | 133600 | 106200 | 62/56 |
| 091 . 233 - ... | 563.9 | 488.4 | 181600 | 134200 | 65/58 | 507.9 | 409.3 | 143000 | 101800 | 60/54 | 476.1 | 402.7 | 128800 | 99400 | 62/56 |
| 091 . 234 - ... | 671.8 | 552.7 | 172200 | 127400 | 65/58 | 557.9 | 452.4 | 129400 | 96200 | 60/54 | 543.5 | 443.9 | 124800 | 93800 | 62/56 |
| 091 . 242 - ... | 570.1 | 486.1 | 257200 | 189600 | 66/59 | 499.4 | 444.9 | 199200 | 145200 | 61/55 | 498.0 | 438.7 | 178000 | 141600 | 63/57 |
| 091 . 243 - ... | 735.9 | 653.1 | 242200 | 179000 | 66/59 | 678.3 | 546.8 | 190800 | 135800 | 61/55 | 636.7 | 537.9 | 171800 | 132400 | 63/57 |
| 091 . 244 - ... | 898.8 | 735.7 | 229400 | 170000 | 66/59 | 745.3 | 616.3 | 172600 | 128200 | 61/55 | 726.1 | 605.1 | 166400 | 125200 | 63/57 |
| 091 . 252 - ... | 741.7 | 632.7 | 321600 | 237000 | 67/60 | 649.6 | 544.8 | 249000 | 181400 | 62/56 | 610.9 | 536.6 | 222600 | 177000 | 64/58 |
| 091 . 253 - ... | 957.4 | 799.1 | 302800 | 223600 | 67/60 | 831.0 | 670.6 | 238400 | 169800 | 62/56 | 778.8 | 684.1 | 214800 | 165600 | 64/58 |
| 091 . 254 - ... | 1099.1 | 901.9 | 286800 | 212400 | 67/60 | 912.5 | 769.8 | 215600 | 160400 | 62/56 | 923.5 | 754.4 | 208000 | 156400 | 64/58 |
| HTC 100 | n = 670 / 520 rpm | | | | | n = 420 / 310 rpm | | | | | n = 380 / 250 rpm | | | | |
| 100 . 212 - ... | 118.0 | 99.6 | 54700 | 39900 | 62/50 | 97.3 | 82.4 | 38000 | 27000 | 45/37 | 90.1 | 70.3 | 34000 | 21600 | 42/32 |
| 100 . 213 - ... | 149.4 | 122.8 | 50100 | 36200 | 62/50 | 124.0 | 94.8 | 33400 | 23400 | 45/37 | 111.9 | 76.5 | 29000 | 18000 | 42/32 |
| 100 . 214 - ... | 179.0 | 146.7 | 46500 | 32300 | 62/50 | 132.9 | — | 28600 | — | 45 | 117.9 | — | 26000 | — | 42 |
| 100 . 222 - ... | 237.3 | 200.2 | 109500 | 79700 | 65/53 | 206.3 | 157.5 | 76000 | 54000 | 48/40 | 190.9 | 141.4 | 68000 | 43200 | 45/35 |
| 100 . 223 - ... | 299.8 | 259.8 | 100200 | 72400 | 65/53 | 249.6 | 190.7 | 66800 | 46800 | 48/40 | 224.6 | 157.5 | 58000 | 36000 | 45/35 |
| 100 . 224 - ... | 378.6 | 295.7 | 93100 | 64700 | 65/53 | 271.9 | — | 57200 | — | 48 | 241.7 | — | 52000 | — | 45 |
| 100 . 232 - ... | 332.8 | 319.0 | 164200 | 119600 | 67/55 | 311.0 | 249.7 | 114000 | 81000 | 50/42 | 287.5 | 212.0 | 102000 | 64800 | 47/37 |
| 100 . 233 - ... | 477.6 | 391.2 | 150400 | 108600 | 67/55 | 375.6 | 286.8 | 100200 | 70200 | 50/42 | 338.0 | 236.5 | 87000 | 54000 | 47/37 |
| 100 . 234 - ... | 570.3 | 443.4 | 139600 | 97000 | 67/55 | 399.2 | — | 85800 | — | 50 | 353.6 | — | 78000 | — | 47 |
| 100 . 242 - ... | 476.1 | 401.2 | 219000 | 159400 | 68/56 | 391.0 | 315.3 | 152000 | 108000 | 51/43 | 361.3 | 289.5 | 136000 | 86400 | 48/38 |
| 100 . 243 - ... | 638.8 | 521.2 | 200500 | 144800 | 68/56 | 501.7 | 382.7 | 133600 | 93600 | 51/43 | 460.9 | 313.9 | 116000 | 72000 | 48/38 |
| 100 . 244 - ... | 762.1 | 605.4 | 186100 | 129300 | 68/56 | 544.8 | — | 114400 | — | 51 | 482.6 | — | 104000 | — | 48 |
| 100 . 252 - ... | 620.3 | 521.8 | 273700 | 199300 | 69/57 | 524.4 | 408.3 | 190000 | 135000 | 52/44 | 469.7 | 347.2 | 170000 | 108000 | 49/39 |
| 100 . 253 - ... | 782.0 | 637.7 | 250600 | 181000 | 69/57 | 638.4 | 486.5 | 167000 | 117000 | 52/44 | 574.3 | 397.3 | 145000 | 90000 | 49/39 |
| 100 . 254 - ... | 969.8 | 755.4 | 232700 | 161600 | 69/57 | 679.7 | — | 143000 | — | 52 | 610.1 | — | 130000 | — | 49 |

H = High fan speed

L = Low fan speed

Note : Actual fan speed may differ from the values as indicated on the motor name plate.

Air Cooled Condensers

HTC

Technical Data HTC 2••

| Type | Refrigerant conn. mm | Int. vol. dm ³ | Sur-face m ² | Weight kg | Dimensions mm | | | |
|----------------------------------|----------------------|---------------------------|-------------------------|-----------|---------------|------|------|--------|
| | | | | | A | B | C | D |
| HTC 050 | | | | | | | | |
| HTC 076 n = 930 rpm | | | | | | | | |
| 076.212-... | 2 x 28 | 17 | 204 | 255 | | | | |
| 076.213-... | 2 x 28 | 26 | 306 | 293 | 2000 | 1340 | | 1x1400 |
| 076.214-... | 2 x 28 | 35 | 408 | 330 | | | | |
| 076.222-... | 2 x 35 | 31 | 408 | 506 | | | | |
| 076.223-... | 2 x 42 | 47 | 612 | 579 | 3400 | 2740 | | 2x1400 |
| 076.224-... | 2 x 42 | 63 | 817 | 652 | | | | |
| 076.232-... | 2 x 42 | 49 | 612 | 762 | | | | |
| 076.233-... | 2 x 54 | 74 | 919 | 873 | 4800 | 4140 | | 3x1400 |
| 076.234-... | 2 x 54 | 99 | 1225 | 984 | | | | |
| 076.242-... | 2 x 54 | 63 | 817 | 1013 | | | | |
| 076.243-... | 2 x 54 | 95 | 1225 | 1159 | 6200 | 5540 | 2740 | 4x1400 |
| 076.244-... | 2 x 67 | 127 | 1633 | 1305 | | | | |
| 076.252-... | 2 x 54 | 77 | 1021 | 1264 | | | | |
| 076.253-... | 2 x 67 | 116 | 1531 | 1445 | 7600 | 6940 | 4140 | 5x1400 |
| 076.254-... | 2 x 67 | 155 | 2042 | 1627 | | | | |
| 076.262-... | 2 x 67 | 91 | 1225 | 1514 | | | | |
| 076.263-... | 2 x 67 | 137 | 1837 | 1732 | 9000 | 8340 | 4140 | 6x1400 |
| 076.264-... | 2 x 67 | 183 | 2450 | 1949 | | | | |
| HTC 090 n = 850 / 610 rpm | | | | | | | | |
| 090.212-... | 2 x 28 | 21 | 245 | 460 | | | | |
| 090.213-... | 2 x 35 | 31 | 367 | 505 | 2000 | 1340 | | 1x1400 |
| 090.214-... | 2 x 35 | 42 | 490 | 551 | | | | |
| 090.222-... | 2 x 42 | 38 | 490 | 915 | | | | |
| 090.223-... | 2 x 54 | 57 | 735 | 1003 | 3400 | 2740 | | 2x1400 |
| 090.224-... | 2 x 54 | 76 | 980 | 1091 | | | | |
| 090.232-... | 2 x 54 | 59 | 735 | 1376 | | | | |
| 090.233-... | 2 x 67 | 89 | 1102 | 1509 | 4800 | 4140 | | 3x1400 |
| 090.234-... | 2 x 67 | 118 | 1470 | 1642 | | | | |
| 090.242-... | 2 x 67 | 76 | 980 | 1831 | | | | |
| 090.243-... | 2 x 80 | 114 | 1470 | 2007 | 6200 | 5540 | 2740 | 4x1400 |
| 090.244-... | 2 x 80 | 152 | 1960 | 2182 | | | | |
| 090.252-... | 2 x 67 | 93 | 1225 | 2286 | | | | |
| 090.253-... | 2 x 80 | 139 | 1837 | 2504 | 7600 | 6940 | 4140 | 5x1400 |
| 090.254-... | 2 x 80 | 186 | 2450 | 2722 | | | | |

Technical Data HTC 2••

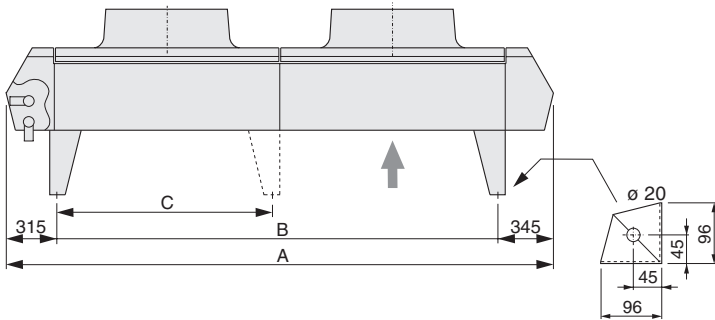
| Type | Refrigerant conn. mm | Int. vol. dm ³ | Sur-face m ² | Weight kg | Dimensions mm | | | |
|----------------------------------|----------------------|---------------------------|-------------------------|-----------|---------------|------|------|--------|
| | | | | | A | B | C | D |
| HTC 091 n = 850 / 610 rpm | | | | | | | | |
| 091.212-... | 2 x 35 | 25 | 304 | 502 | | | | |
| 091.213-... | 2 x 42 | 38 | 457 | 557 | 2350 | 1690 | | 1x1750 |
| 091.214-... | 2 x 42 | 50 | 607 | 613 | | | | |
| 091.222-... | 2 x 54 | 51 | 607 | 1004 | | | | |
| 091.223-... | 2 x 54 | 76 | 913 | 1115 | 4100 | 3440 | | 2x1750 |
| 091.224-... | 2 x 54 | 101 | 1214 | 1227 | | | | |
| 091.232-... | 2 x 67 | 72 | 911 | 1500 | | | | |
| 091.233-... | 2 x 67 | 108 | 1370 | 1665 | 5850 | 5190 | | 3x1750 |
| 091.234-... | 2 x 80 | 144 | 1822 | 1830 | | | | |
| 091.242-... | 2 x 67 | 93 | 1214 | 1996 | | | | |
| 091.243-... | 2 x 80 | 139 | 1827 | 2214 | 7600 | 6940 | 3440 | 4x1750 |
| 091.244-... | 2 x 80 | 186 | 2429 | 2432 | | | | |
| 091.252-... | 2 x 80 | 114 | 1518 | 2493 | | | | |
| 091.253-... | 2 x 80 | 171 | 2284 | 2764 | 9350 | 8690 | 5190 | 5x1750 |
| 091.254-... | 2 x 80 | 228 | 3036 | 3035 | | | | |
| HTC 100 n = 670 / 520 rpm | | | | | | | | |
| 100.212-... | 2 x 35 | 25 | 304 | 502 | | | | |
| 100.213-... | 2 x 35 | 38 | 457 | 557 | 2350 | 1690 | | 1x1750 |
| 100.214-... | 2 x 42 | 50 | 607 | 613 | | | | |
| 100.222-... | 2 x 42 | 51 | 607 | 1004 | | | | |
| 100.223-... | 2 x 54 | 76 | 913 | 1115 | 4100 | 3440 | | 2x1750 |
| 100.224-... | 2 x 54 | 101 | 1214 | 1227 | | | | |
| 100.232-... | 2 x 54 | 72 | 911 | 1500 | | | | |
| 100.233-... | 2 x 67 | 108 | 1370 | 1665 | 5850 | 5190 | | 3x1750 |
| 100.234-... | 2 x 67 | 144 | 1822 | 1830 | | | | |
| 100.242-... | 2 x 67 | 93 | 1214 | 1996 | | | | |
| 100.243-... | 2 x 67 | 139 | 1827 | 2214 | 7600 | 6940 | 3440 | 4x1750 |
| 100.244-... | 2 x 80 | 186 | 2429 | 2432 | | | | |
| 100.252-... | 2 x 67 | 114 | 1518 | 2493 | | | | |
| 100.253-... | 2 x 80 | 171 | 2284 | 2764 | 9350 | 8690 | 5190 | 5x1750 |
| 100.254-... | 2 x 80 | 228 | 3036 | 3035 | | | | |
| HTC 100 n = 420 / 310 rpm | | | | | | | | |
| 100.212-... | 2 x 35 | 25 | 304 | 502 | | | | |
| 100.213-... | 2 x 35 | 38 | 457 | 557 | 2350 | 1690 | | 1x1750 |
| 100.214-... | 2 x 35 | 50 | 607 | 613 | | | | |
| 100.222-... | 2 x 42 | 51 | 607 | 1004 | | | | |
| 100.223-... | 2 x 54 | 76 | 913 | 1115 | 4100 | 3440 | | 2x1750 |
| 100.224-... | 2 x 54 | 101 | 1214 | 1227 | | | | |
| 100.232-... | 2 x 54 | 72 | 911 | 1500 | | | | |
| 100.233-... | 2 x 54 | 108 | 1370 | 1665 | 5850 | 5190 | | 3x1750 |
| 100.234-... | 2 x 54 | 144 | 1822 | 1830 | | | | |
| 100.242-... | 2 x 54 | 93 | 1214 | 1996 | | | | |
| 100.243-... | 2 x 67 | 139 | 1827 | 2214 | 7600 | 6940 | 3440 | 4x1750 |
| 100.244-... | 2 x 67 | 186 | 2429 | 2432 | | | | |
| 100.252-... | 2 x 67 | 114 | 1518 | 2493 | | | | |
| 100.253-... | 2 x 67 | 171 | 2284 | 2764 | 9350 | 8690 | 5190 | 5x1750 |
| 100.254-... | 2 x 80 | 228 | 3036 | 3035 | | | | |

Air Cooled Condensers

HTC

HTC 076 / 090 / 091 / 100 . 2••
Vertical Air Direction

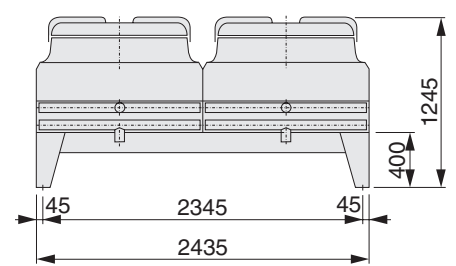
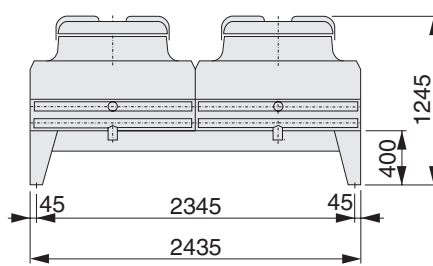
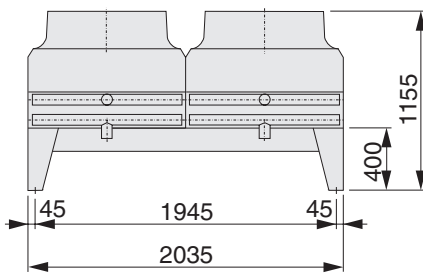
Side View



HTC 076 . 2••

HTC 090 / 091 . 2••

HTC 100 . 2••

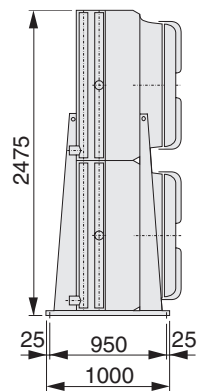
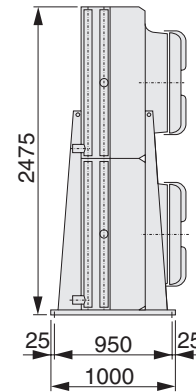
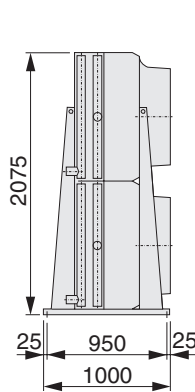
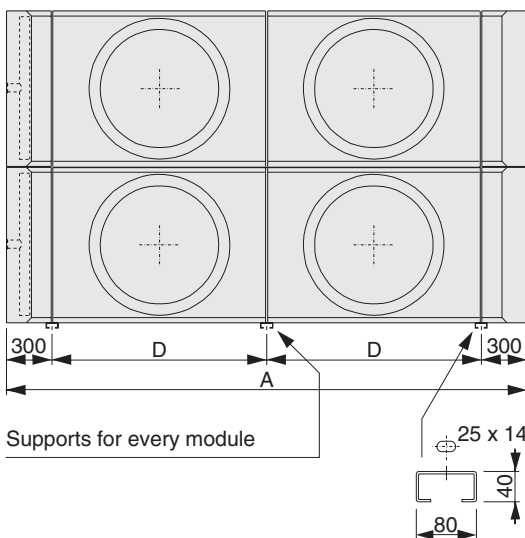


HTC 076 / 090 / 091 / 100 . 2••
Horizontal Air Direction

HTC 076.2••

HTC 090/091. 2••

HTC 100. 2••



Air Cooled Condensers

HTC

Fan types

All fan types have corrosion resistant fan blades and fan guards.

HTC Type 050

Fans ø 508 mm, complete with protection guards and anti vibration mountings.
Standard execution with fan motors type 050.910.
Terminal boxes are provided with 2 cable inlets M20 x 1.5.

HTC Type 076

Fans ø 762 mm mounted on a motor support.
Fan guards are integrated in the fan plate.
Standard execution with fan motors type 076.930.
Motors are wired to one or more common terminal boxes. The terminal boxes are located on the endplate at the liquid header end of the coil.

HTC Type 090 / 091

Fans ø 900 mm, fan motors integrated with guards and mounted to fan discharge hood.

HTC Type 100

Similar in construction to type 090 / 091, fan diameter however 1000 mm.

All fan motors of HTC models **090**, **091** and **100** are equipped with an overload protector built in the windings. Via terminals in the terminal box this internal protector **must** be used in the control current circuit. The electrical control should be arranged in such a way that continuous on/off switching of the motors ('tripping') is prevented.
When the condensers are out of use for longer periods, the motors have to be switched on for at least 2 hours every month.

HTC Type 050 - 100

For application at ambient temperatures above 40 °C : special motors on request.

Fan motors

| Motor type | Number of poles | rpm | Capacity | | Motor voltage Volt | Thermal overload relay settings (A) * 230 / 400 |
|------------|-----------------|-----|--------------|---------------|--------------------|--|
| | | | nominal Watt | absorbed Watt | | |

HTC type 050 (enclosed design, IP-55)

| | | | | | | |
|------------|----|------|-----|-----|--------------|-------------|
| 050 . 910 | 6 | 910 | 180 | 350 | 230/400/50/3 | 1.49 / 0.86 |
| 050 . 690 | 8 | 690 | 120 | 250 | 230/400/50/3 | 1.16 / 0.67 |
| 050 . 470 | 12 | 470 | 25 | 100 | 230/400/50/3 | 0.55 / 0.32 |
| 050 . 1420 | 4 | 1420 | 370 | 600 | 230/400/50/3 | 2.42 / 1.40 |
| 050 . VAR | 6 | var. | 180 | 350 | 230/50/1 | 2.36 ** |

HTC type 076 (enclosed design, IP-55)

| | | | | | | | |
|-----------|-----|-----|------|------|--------------|----------------------|-----------|
| 076 . 930 | 6 | 930 | 750 | 1170 | 230/400/50/3 | 5.0 / 2.9 | |
| 076 . 690 | 8 | 690 | 370 | 560 | 230/400/50/3 | 2.6 / 1.5 | |
| 076 . 325 | 16 | 325 | 120 | 290 | 230/400/50/3 | 2.0 / 1.2 | |
| 076 . 425 | YI | 6 | 935 | 750 | 1420 | 400/50/3 | 3.1 |
| | YII | 12 | 425 | 150 | 300 | 400/50/3 | 1.1 |
| 076 . 930 | M | 6 | 930 | 750 | 1170 | 230/50/1 | 8.0 |
| 076 . VAR | | 6 | var. | 750 | 1000 | 230/50/1 | 8.4 ** |
| 076 . 840 | | 8 | 840 | 660 | 770 | 230-254/400-440/60/3 | 4.8 / 2.8 |

HTC type 090 (enclosed design, IP-54)

| | | | | | | |
|-----------|---|---|-----|------|----------|------|
| 090 . 850 | Δ | - | 850 | 3300 | 400/50/3 | 6.93 |
| | Y | - | 610 | 1900 | 400/50/3 | 3.85 |
| 090 . 680 | Δ | - | 680 | 1750 | 400/50/3 | 3.96 |
| | Y | - | 520 | 1200 | 400/50/3 | 2.53 |
| 090 . 860 | Δ | - | 830 | 1600 | 400/50/3 | 3.85 |
| | Y | - | 610 | 910 | 400/50/3 | 1.98 |

HTC type 091 (enclosed design, IP-54)

| | | | | | | |
|-----------|---|---|-----|------|----------|------|
| 091 . 850 | Δ | - | 850 | 3300 | 400/50/3 | 6.93 |
| | Y | - | 610 | 1900 | 400/50/3 | 3.85 |
| 091 . 680 | Δ | - | 680 | 1750 | 400/50/3 | 3.96 |
| | Y | - | 520 | 1200 | 400/50/3 | 2.53 |
| 091 . 860 | Δ | - | 830 | 1600 | 400/50/3 | 3.85 |
| | Y | - | 610 | 910 | 400/50/3 | 1.98 |

HTC type 100 (enclosed design, IP-54)

| | | | | | | |
|-----------|---|---|-----|------|----------|------|
| 100 . 670 | Δ | - | 650 | 2200 | 400/50/3 | 4.6 |
| | Y | - | 460 | 1350 | 400/50/3 | 3.0 |
| 100 . 420 | Δ | - | 420 | 860 | 400/50/3 | 2.2 |
| | Y | - | 310 | 500 | 400/50/3 | 1.07 |
| 100 . 380 | Δ | - | 380 | 670 | 400/50/3 | 1.54 |
| | Y | - | 250 | 330 | 400/50/3 | 0.74 |

* The settings can be applied to a minimum ambient temperature of -10 °C

** Value at highest speed.

Note : Actual fan speed may differ from the values as indicated on the motor name plate.

Air Cooled Condensers

HTC

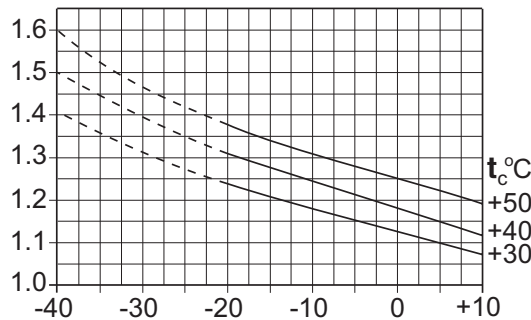
Factors for calculation of the condenser capacity

The condenser capacity is the compressor capacity multiplied with the factor from the diagram. The diagrams are valid for R 404A. At evaporating temperatures below -20 °C the condenser capacity has to be calculated from the compressor capacity at -20 °C, or a starting control should be used to protect the compressors from high starting loads.

OPEN compressors

SEMI-HERMETIC compressors
(motor air/water cooled)

Factor

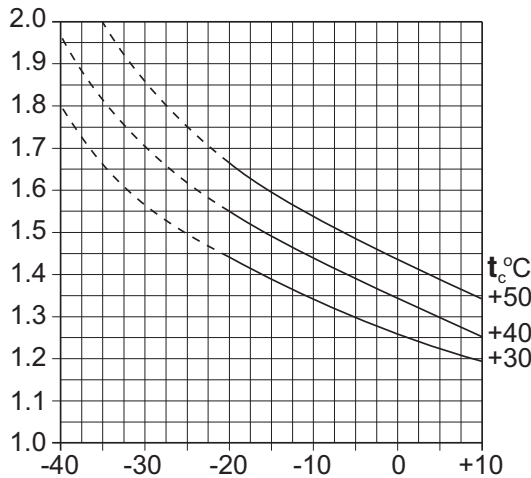


Evaporating temperature °C

SEMI-HERMETIC compressors
(motor suctiongas cooled)

HERMETIC compressors

Factor



Evaporating temperature °C

Capacity

The basic capacity ratings (pages 4, 5 and 8, 9) are for R404A at a t_d * of 15 K and ambient temperatures up to 25 °C.

* t_d = difference between condensing- and ambient temperature.

Capacities are directly proportional with other temperature differences between 10 and 20 K.

The refrigerant circuiting is optimised to the selected fan speed. When selecting a condenser model with two fan speeds a 'first choice' fan speed has to be given to which the refrigerant circuiting will be designed. The condenser capacity for the 'second choice' fan speed can be up to 10 % below the stated capacity.

Correction factors

| | | Factor |
|---|--------------------------|--------|
| Refrigerant | R 404A, R 507 | 1.00 |
| | R 134a | 0.93 |
| | R 407C | 0.87 |
| | R 22 | 0.96 |
| Ambient temperature : | 25 °C | 1.00 |
| | 35 °C | 0.96 |
| | 40 °C | 0.94 |
| | 50 °C (special motor) | 0.91 |
| Altitude above sea level : | 0 m | 1.00 |
| | 500 m | 0.97 |
| | 1000 m | 0.93 |
| | 1500 m | 0.90 |
| | 2000 m | 0.86 |
| | 2500 m | 0.83 |
| Application of motors suitable for 60 Hz with n = 840 rpm | | 0.95 |

Example : HTC 076 . 124 - 60 Hz fans

What is the condenser capacity at an ambient temperature of 40 °C, refrigerant R404A, altitude at sea level and equipped with motors for 60 Hz ?

Nominal capacity at 15 K tv : 110.7 kW
 Correction factors : $t = 40$ °C : 0.94
 altitude sea level : 1.00
 60 Hz motors : 0.95

Corrected capacity :
 $0.94 \times 1.00 \times 0.95 \times 110.7 = 98.9$ kW

Capacity control

For multifan models capacity can be controlled by cycling one or more fans. Capacity control on all models is also possible by using 2-speed or speed regulated single phase motors (in combination with an electronic speed control device).

The fan compartments are separated by baffle plates.

Air Cooled Condensers

HTC

Multi circuiting

Condensers can be supplied (at extra cost) with multi circuiting.

Soundlevels dB(A)

The soundlevels in the tables on pages 4, 5, 8 and 9 are the results of tests in free field conditions. The values are measured in the horizontal plane at a distance of 10 m. More information on request.

The table below gives sound level corrections at various distances.

| Distance m | Correction dB(A) |
|---------------|---------------------|
| 1 | + 20 |
| 2 | + 14 |
| 3 | + 10 |
| 4 | + 8 |
| 5 | + 6 |
| 10 | 0 |
| 20 | - 6 |
| 50 | - 14 |
| 100 | - 20 |

Extended feet

Extended feet can be supplied as optional extra for condenser models 076, 090, 091 and 100. These feet are supplied separately. The standard feet height gives 400 mm free space under the condenser. Extended feet are available for heights of 600 mm.

Transport

All models are provided with lifting lugs. To avoid damage during hoisting, a hoisting beam should be used, by which the given angles are to be considered. Beware of shocks during transport and handling (sudden lifting).

Mounting

Refrigerant pipework connections are to be soldered free of tension. When connecting more than one condenser in parallel the pressure drop on the refrigerant side has to be considered.

Location

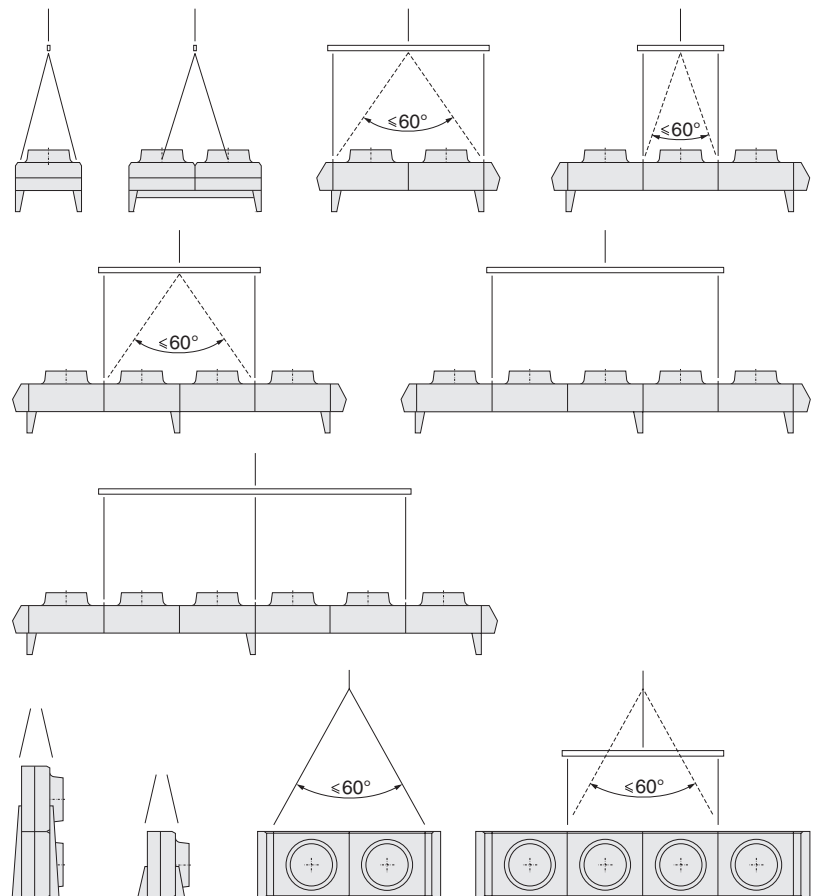
Air movement

Condensers should be positioned to achieve the following criteria :

- Adequate space (min. 1.0 metre) must be left for free entry to the coil inlet face.
- No restrictions to the air discharge.
- No possibility of direct air recirculation (short circuiting of air).

Installation and maintenance

For more information on installation and maintenance of air cooled condensers model HTC we refer to our brochure nr. 88.02 ("Installation and Maintenance Instructions for Aircooled Condensers"). This brochure is issued with every condenser.



HELPMAN

since 1924

Independent supplier

Helpman BV

PO Box 44

NL-9700 AA Groningen

Tel. ++31 50-5217555

Fax ++31 50-5264878

E-mail info@helpman.com

Internet www.helpman.com

